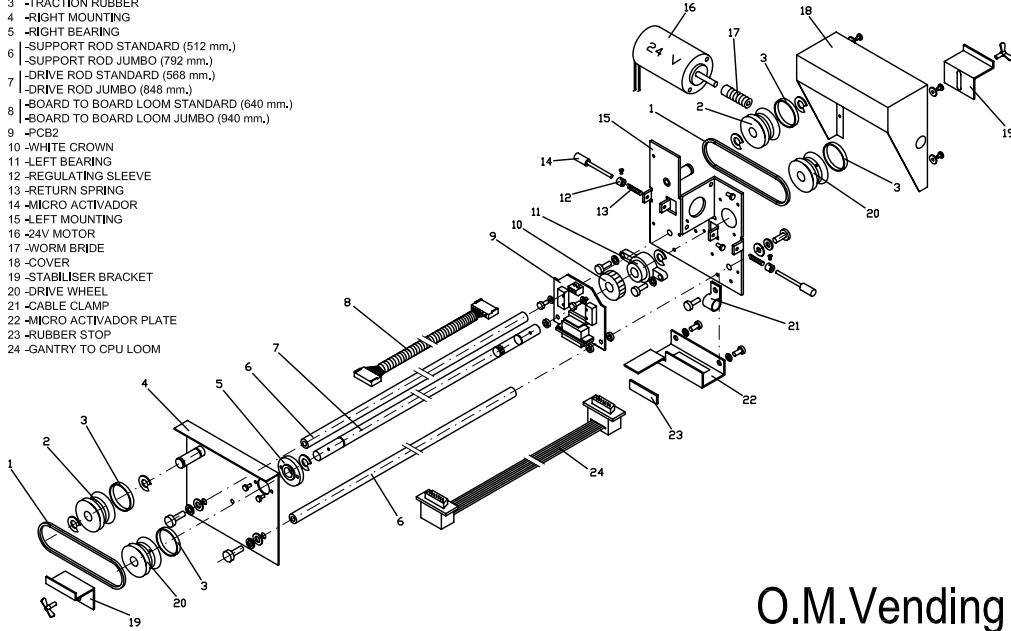


PART NUMBERS

- 1 -DRIVE BELT
- 2 -DRIVE WHEEL
- 3 -TRACTION RUBBER
- 4 -RIGHT MOUNTING
- 5 -RIGHT BEARING
- 6 -SUPPORT ROD STANDARD (512 mm.)
- 7 -SUPPORT ROD JUMBO (792 mm.)
- 8 -DRIVE ROD STANDARD (568 mm.)
- 9 -DRIVE ROD JUMBO (848 mm.)
- 10 -BOARD TO BOARD LOOM STANDARD (640 mm.)
- 11 -BOARD TO BOARD LOOM JUMBO (940 mm.)
- 9 -PCB2
- 10 -WHITE CROWN
- 11 -LEFT BEARING
- 12 -REGULATING SLEEVE
- 13 -RETURN SPRING
- 14 -MICRO ACTIVATOR
- 15 -LEFT MOUNTING
- 16 -24V MOTOR
- 17 -WORM BRIDE
- 18 -COVER
- 19 -STABILISER BRACKET
- 20 -DRIVE WHEEL
- 21 -CABLE CLAMP
- 22 -MICRO ACTIVATOR PLATE
- 23 -RUBBER STOP
- 24 -GANTRY TO CPU LOOM

GANTRY JIG

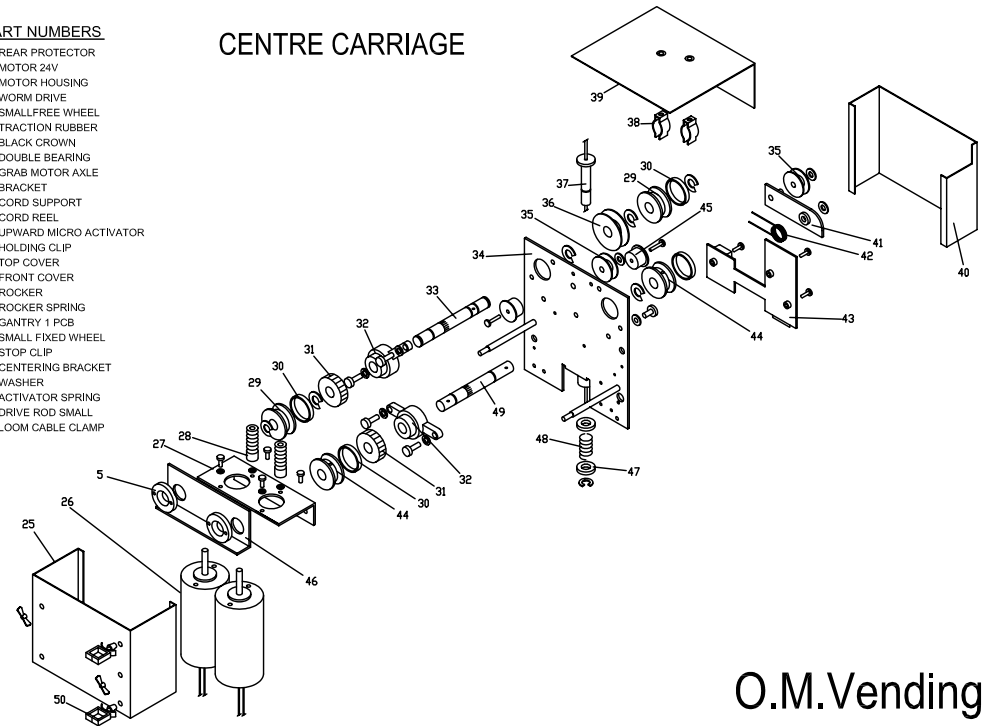


O.M.Vending

PART NUMBERS

- 25-REAR PROTECTOR
- 26-MOTOR 24V
- 27-MOTOR HOUSING
- 28-WORM DRIVE
- 29-SMALLFREE WHEEL
- 30-TRACTION RUBBER
- 31-BLACK CROWN
- 32-DOUBLE BEARING
- 33-GRAB MOTOR AXLE
- 34-BRACKET
- 35-CORD SUPPORT
- 36-CORD REEL
- 37-UPWARD MICRO ACTIVATOR
- 38-HOLDING CLIP
- 39-TOP COVER
- 40-FRONT COVER
- 41-ROCKER
- 42-ROCKER SPRING
- 43-GANTRY 1 PCB
- 44-SMALL FIXED WHEEL
- 45-STOP CLIP
- 46-CENTERING BRACKET
- 47-WASHER
- 48-ACTIVATOR SPRING
- 49-DRIVE ROD SMALL
- 50-LOOM CABLE CLAMP

CENTRE CARRIAGE



O.M.Vending

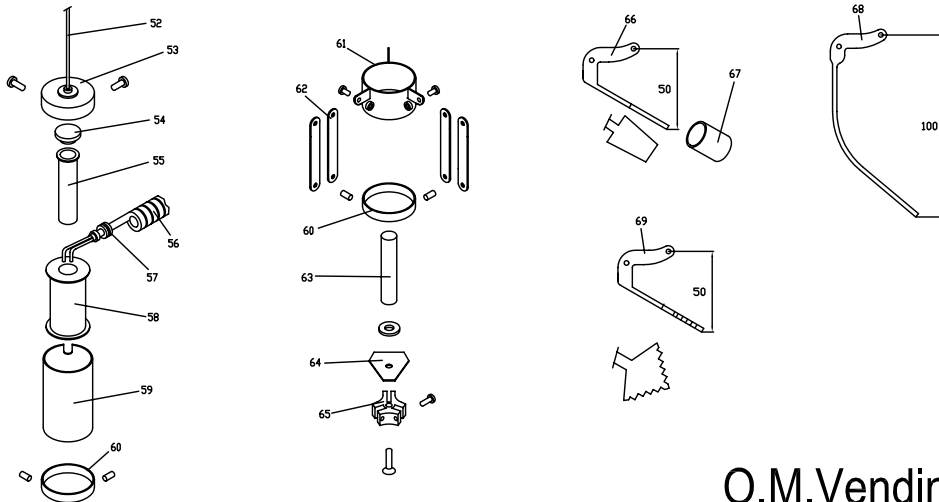
PART NUMBERS

- 52-CORD
- 53-COVER
- 54-NUCLEUS STOP
- 55-COIL SLEEVE
- 56-TELEPHONE CABLE
- 57-CABLE PROTECTOR
- 58-48V COIL
- 59-COIL HOUSING
- 60-REGULATOR SLEEVE
- 61-REGULATOR
- 62-TENSOR
- 63-MOBILE NUCLEUS
- 64-TRIANGLE
- 65-STAR
- 66-SWEET CLAW
- 67-SWEET CLAW RUBBER
- 68-STANDARD CLAW
- 69-TRIANGLE CLAW

STANDARD GRAB MECHANISM

COMPLETE GRABS

- STD GRAB (52 TO 65 + 68)
- SWEET GRAB (52 TO 67)
- TRIANGLE GRAB (52 TO 65 + 69)



O.M.Vending

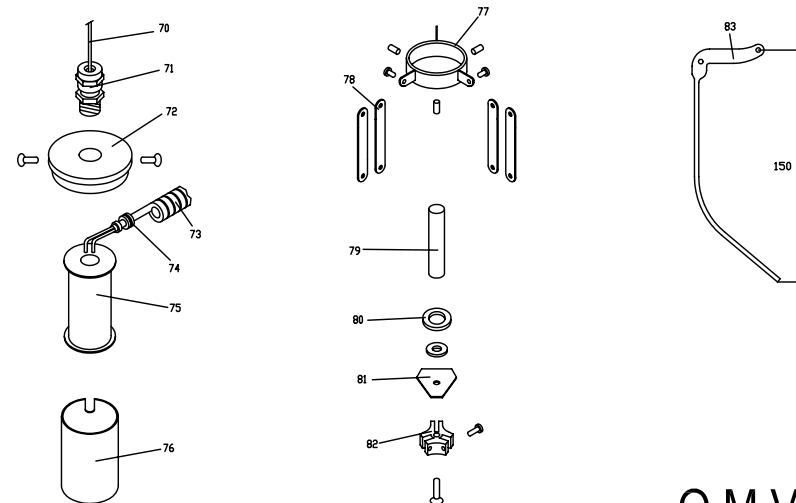
PART NUMBERS

- 70-CORD
- 71-CORD PROTECTOR
- 72-COVER
- 73-TELEPHONE CABLE
- 74-CABLE PROTECTOR
- 75-48V COIL
- 76-COIL HOUSING
- 77-REGULATOR
- 78-TENSOR
- 79-MOBILE NUCLEUS
- 80-BUFFER
- 81-TRIANGLE
- 82-STAR
- 83-JUMBO CLAW

JUMBO GRAB MECHANISM

COMPLETE GRABS

- JUMBO GRAB (70 TO 83)



O.M.Vending